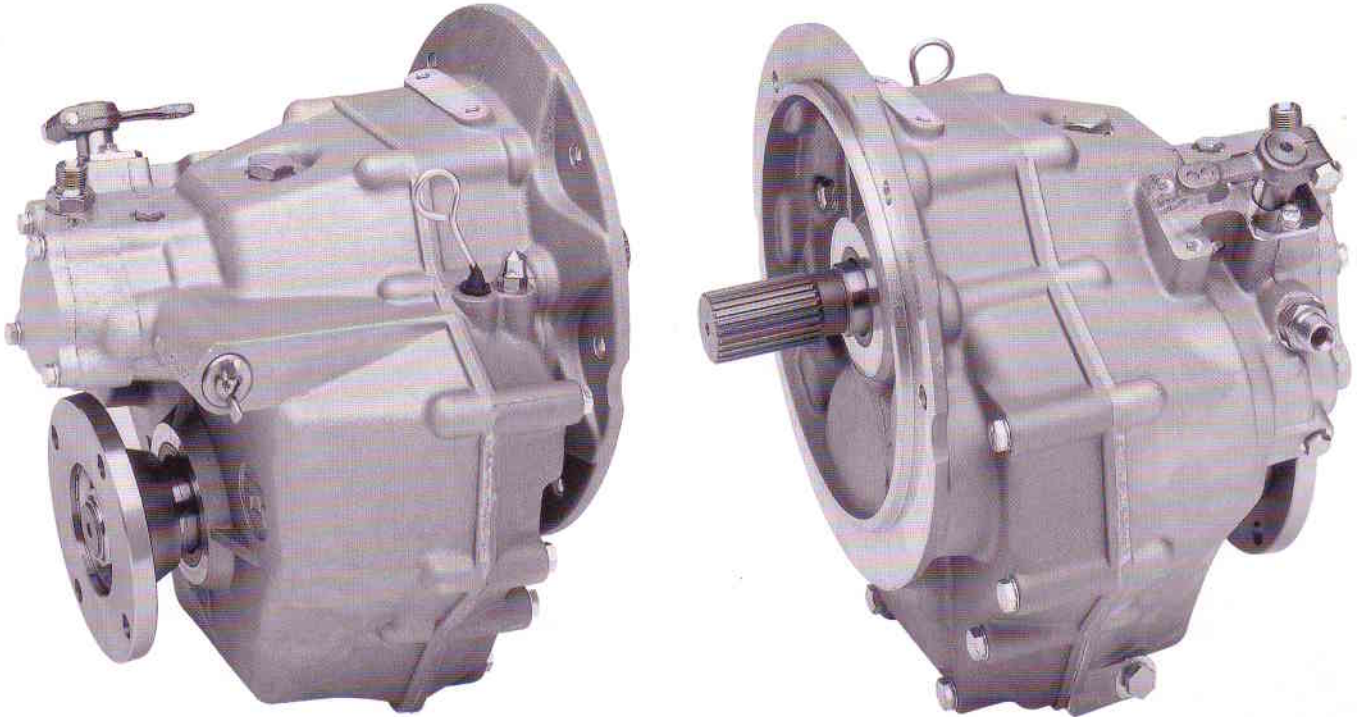


From the Family of Twin Disc Critical Performance Products

Marine Transmission

48 to 112 kW

64 to 150 hp



Model MG-5005A

The Twin Disc MG-5005A marine transmission is built with aluminum alloy housing and equipped with multiple-disc clutches hydraulically operated.

Clutches and gears are properly constructed to transmit the full power, with the same ratio, both in forward and reverse running.

An 8° down angle on output shaft

provides a proper engine-marine gearbox group installation on planing or semi-displacement type hulls.

REDUCTION RATIOS	*INPUT RATINGS – KILOWATTS (HORSEPOWER)			MAX. INPUT SPEED-RPM
	PLEASURE CRAFT DUTY	LIGHT DUTY	INTERMEDIATE DUTY	
	3000 RPM	3000 RPM	2800 RPM	
1.54:1	112 (150)	104 (140)	63 (85)	4500 max.
2.00:1	93 (125)	87 (117)	63 (85)	
2.47:1	67 (90)	63 (84)	48 (64)	

Please refer to back cover for service classification definitions.

*Ratings shown for use with standard rotation engines only.

